

DGC & DCC

Our Dry Gas Coupling (LPG) and Dry Cryogenic Coupling (LNG) are a further development of our Dry Disconnect Coupling that has been used in decades in the chemical and petrochemical industry. This is the reason why we based our gas handling quick connectors on the same mechanical principle.

There is no other coupling principle that has a longer track record in the industrial field showing a more reliable and robust functionality combined with an absolute

minimum of product loss during connection and disconnection.

The coupling design will eliminate spills to the environment and operators at the same time as it saves money. In many applications the coupling will have a financial pay-off time in a few months. The connection and disconnection is made in seconds which is beneficial to the user and the environment but also makes it possible to disconnect in case of emergency.

DRY GAS COUPLING

Dry Gas Coupling (DGC) is primarily designed for handling LPG or other gases (liquified or in gas phase) at a temperature range down to -50 C. The Dry Gas Coupling is designed to make connections and disconnections at a higher pressure - up to 28 bar (1" to 3").

With our DGC there is no need to empty the hose line or loading arm between fillings, so

the product could remain in liquified phase. This also makes a wet hose concept possible which makes the filling volumes easier to measure. The Dry Gas Couplings are produced in sizes from 1" to 8", housing material is stainless steel and the standard sealings is FKM-low temp which makes them suitable for all different qualities of the LPG and temperatures.

DRY CRYOGENIC COUPLING

Dry Cryogenic Coupling is mostly used for handling LNG but could also be used handling other cryogenic media down to a temperature of -196 C. Also, this type will have the same benefits as all of our Dry Disconnect Couplings with no spill during connections and disconnections and it only takes seconds to connect or break

the hose lines. As both valves close when disconnecting the couplings, there is no necessity to purge or strip the hose line before disconnection. The Dry Cryogenic Couplings are produced in sizes from 1" to 8", the material is stainless steel and the seals are made of PTFE.



OUR SOLUTION RANGE

DGC – Dry Gas Couplings

DCC – Dry Cryogenic Couplings

SBC – Safety Break-away Couplings for LPG

CBC – Cryogenic Break-away Couplings for LNG

DGC Dry Gas Couplings

MannTek Dry Gas Couplings are designed for spill-free handling. They guarantee economical, safe and environmentally friendly application within the LPG industry. We know the importance of eliminating unwanted leakage, product loss and a safe environment.

+ Key benefits

EASY TO HANDLE

Push and turn - free flow. Turn and pull - closed.

TIME SAVING

No need to drain hoses or pipe systems.

ECONOMICAL

No loss or spillage of liquids on connection or disconnection.

SAFE

The valve cannot be opened until the unit is coupled.

ENVIRONMENTALLY FRIENDLY

Accidental spillage is eliminated.

QUALITY

Designed for a long life cycle and intensive use over many years.

Applications

- Top and bottom loading of tank trucks, bulk tanks, rail tankers, etc.
- Coupling from tank truck to customer storage tank
- Sampling

Large variety of connections (both thread and flange) for mounting directly on hose or tank.

Inner cam curve (protected from external impact).

Dry gas coupling with integrated swivel.

Powerful handle – many alternatives to fit specific use.

Easy service without special tools (market leading solution).

Weight optimised.

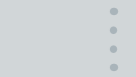
Unique low temp FKM sealing technology for all qualities of LPG and temperatures operational.

Robust rubber protecting ring – weather-resistant and electrically non-conductive.

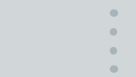
Available in 1" – 8".



To Connect



Full Flow



To Disconnect

INNOVATIVE ACCESSORIES

Our most innovative accessories are also some of the most popular. Our online configurator will give a complete overview matching your product specifications. Like our couplings, our accessories are always certified by Lloyds, TÜV, Bureau Veritas, Apragaz and TDT, as well as complying with any regionally required approvals.

SAFETY PRESSURE CAP

Contains pressure with built in warning indicators for excessive pressure. Design allows operators to release over pressure in a controlled safe way. Safety Pressure Cap may replace other closure valves (ie ball valves, butterfly valves etc.) and is approved according ADR/RID as third enclosure.



In case of an upstream leakage the cap will indicate it.



Press down the handle and any possible pressure is evacuated through a valve.



The cap can be removed safely.

PRESSURE EQUALIZING VALVE

This system dissipates trapped fluid pressure into the hose coupler without spillage, to allow easy connection. Allows safe opening with balanced pressure.



VALVE CONTROL

This is a feature for detecting leakage in the tank unit. After stop and control for leakage the user must manually unlock the hose unit before disconnection. Both tank unit and hose unit shall be ordered in "Stop Before Disconnect" version.



TANK UNITS WITH ECCENTRIC FLANGES

Tank units / adapters with eccentric flanges are available in sizes 1" to 6". Eliminate risks of liquid remaining in the pipe system.

Equalising the pressure between hose and tank unit, for easy and safe use.



Additional Info

Dry Gas Couplings

Copyright Mann Teknik AB / Privacy Terms
Last Update: 10.12.2018

Reverse Search by MannTek Part Number

CE MannTek

Type in Part Number PSXXbar XXXXX

Seal: XXX Mtrl.: XXX XXXXX

ID:XXXXX Year: 20XX/XX

Sample of a MannTek ID Plate.

To simplify re-orders type in the existing MannTek part number.

Find all our accessories in one place

Find your customised product easily with our configurator. Your solution is just a few clicks away.

configurator.manntek.se →

INNOVATIVE ACCESSORIES

Our most innovative accessories are also some of the most popular. Our online configurator will give a complete overview matching your product specifications. Like our couplings, our accessories are always certified by Lloyds, TÜV, Bureau Veritas, Apragaz and TDT, as well as complying with any regionally required approvals.

HOSE UNIT WITH INTEGRATED BREAKAWAY

If there is a risk of excessive force on the hose due to unexpected motion between the loading and unloading units, the DDC can be combined with a safety break away.



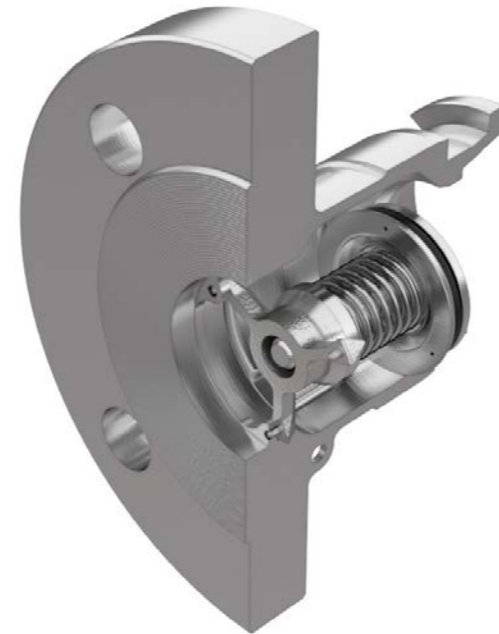
ACME AND WHITWORTH THREADS

DGC tank units and hose units are available with ACME and Whitworth threads for direct assembly on existing connections. Open threaded ACME couplings have been used in the LPG industry for a long time resulting in high product losses, environmental effects and health risks.



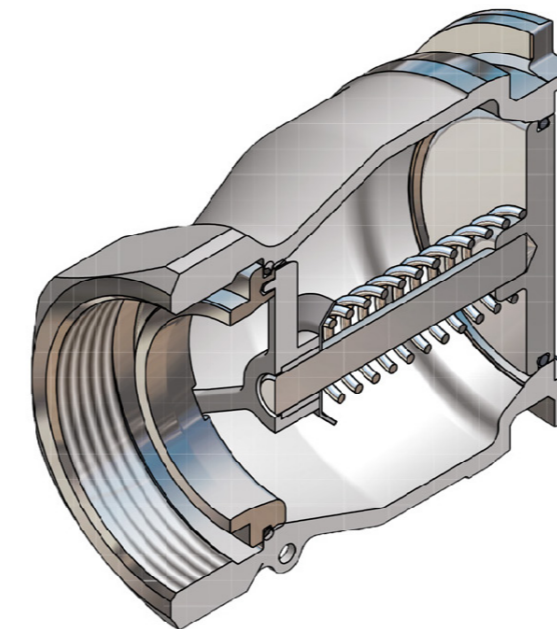
OVER PRESSURE BLEED VALVE

To protect equipment in special operating conditions where there is the risk of excessive pressure increase through warming in the pipe / hose system. The optional pressure bleeding valve opens at a predetermined pressure limit.



TANK UNIT WITH SHORT PISTON

When coupled, the piston spindle does not protrude. This special type is useful when tank unit is direct mounted to ball valves.



Reverse Search by MannTek Part Number ⓘ

CE MannTek

Type in Part Number

Seal: XXXX Mtrl.: XXXX XXXXX

ID:XXXXX Year: 20XX/XX

Sample of a MannTek ID Plate.

To simplify re-orders type in the existing MannTek part number.

Find all our accessories in one place

Find your customised product easily with our configurator. Your solution is just a few clicks away.

configurator.manntek.se →

